

POWER PACKS

PP SERIES

Installation Instructions *Please Read*

Model Numbers

PP-DV	UPP-DV
PP-347H	UPP-347H
PP-SH	UPP-SH

DESCRIPTION

PP and UPP Series Power Packs provide both the 24 V_{DC} power supply to operate Lutron® occupancy sensors, as well as the 20 A line voltage relay to control the load, in one compact housing. The unit can be mounted inside the junction box, inside the ballast cavity or outside the junction box. When using the auxiliary Power Pack (-SH) to switch additional loads, at least one line voltage Power Pack must be used.

FEATURES

- High-impact UL94 5VA flammability-rated plastic case construction
- Relay: Class B 266 °F (130 °C) insulating material; silver alloy contacts
- Complies with requirements for use in a compartment handling environmental air (plenum) per NEC® 2011 300.22(C)(3)
- Power Pack units (-DV and -347H) power up to 3 total devices, including occupancy sensor units and auxiliary Power Pack units (-SH)
- For indoor use only, 32 °F to 104 °F (0 °C to 40 °C), 0% to 90% humidity, non-condensing

Model	Power Input	Relay Contact Rating	Control Input	NEC® Class 2 Output
PP-DV UPP-DV	100-277 V~ 50/60 Hz 6.5 W	<ul style="list-style-type: none">• 120 V~ 20 A Incandescent• 120-277 V~ 20 A Ballast• 120-277 V~ 1 HP Motor Load	24 V _{DC} 5 mA	24 V _{DC} 150 mA up to 3
PP-347H UPP-347H	347 V~ 60 Hz 6.5 W	<ul style="list-style-type: none">• 347 V~ 15 A Ballast	24 V _{DC} 5 mA	24 V _{DC} 100 mA up to 3
PP-SH UPP-SH	24 V _{DC} (At least one line voltage power pack must be used)	<ul style="list-style-type: none">• 120 V~ 20 A Incandescent• 120-277 V~ 20 A Ballast• 120-277 V~ 1 HP Motor Load• 347 V~ 15 A Ballast	24 V _{DC} 5 mA	N/A

PRE-INSTALLATION

- Make sure that the device type and rating is suitable for the application.
- Use copper conductors only.
- Do not install if product has any visible damage.
- If moisture or condensation is evident, allow the product to dry completely before installation.

INSTALLATION

- Must be installed by a qualified electrician in accordance with national and local codes and the following instructions.

1. Turn off power at circuit breaker before installing the unit.



WARNING: Shock Hazard. Always turn power off and lock out during unit installation. Wiring with power ON may result in serious injury or death.

- ##### 2. Mount the Power Pack(s).
- Fits inside junction box or standard fluorescent fixture ballast cavity; mount with 6/32 in x 1 1/4 in (5 mm x 32 mm) pan head screws. The unit can be mounted outside the junction box, with a simple twist-on nut.

- ##### 3. Wire according to appropriate wiring diagram for your product (see next page).

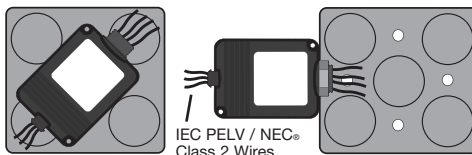


WARNING Shock Hazard. Always turn power off and lock out during unit installation. Wiring with power ON may result in serious injury or death.

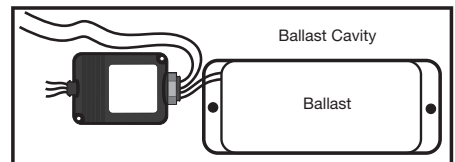
4. Turn power on.

Inside Junction Box

Outside Junction Box



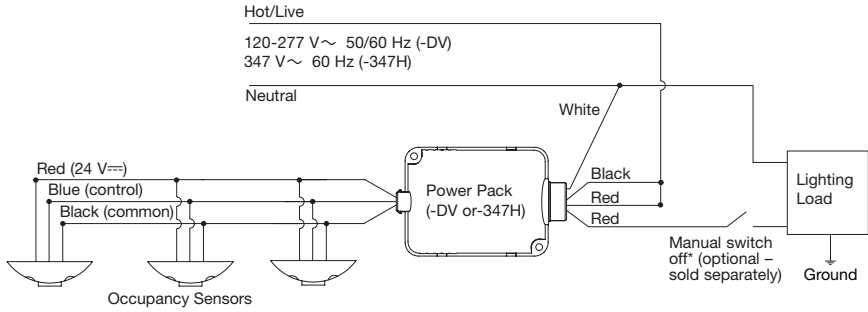
Inside Ballast Cavity



Mounts to standard 4 in x 4 in (102 mm x 102 mm) junction box through knockout, with 1/2 in (13 mm) Electrical Metallic Tubing (EMT) threaded nipple.

WIRING

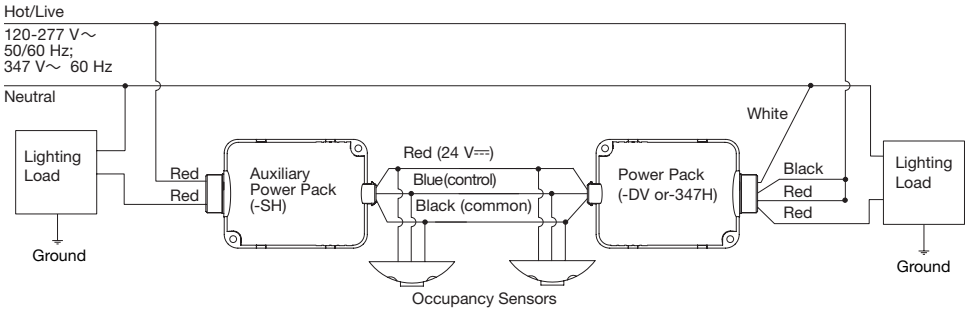
1 to 3 Sensors with Power Pack



Note: Maximum 3 occupancy sensors (-DV).
Maximum 3 occupancy sensors (-347H).

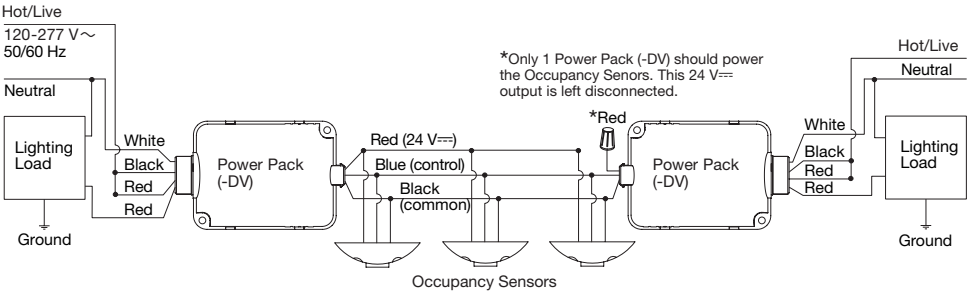
* **Note:** when lights are manually turned off, switch must be returned back to the on position for occupancy sensors to function as set.

Switching Multiple Loads with 1 Power Pack and 1 Auxiliary Power Pack



NOTE: Maximum of 3 devices total (occupancy sensors and auxiliary Power Packs) can be connected to a Power Pack; when using the auxiliary Power Pack to switch additional loads, at least one line voltage Power Pack must be used.

Switching Multiple Loads with 2 Power Packs (-DV)



LUTRON®

World Headquarters
Lutron Electronics Co., Inc.
7200 Suter Road
Coopersburg, PA 18036
TEL +1.610.282.3800
FAX +1.610.282.1243
Internet: www.lutron.com
E-mail: product@lutron.com

Lutron Electronics Co., Inc.
P/N 031-381 Rev. A 2/2012



LIMITED WARRANTY

Lutron will, at its option, repair or replace any unit that is defective in materials or manufacture within one year after purchase. For warranty service, return unit to place of purchase or mail to Lutron at 7200 Suter Rd., Coopersburg, PA 18036-1299, postage pre-paid.

This warranty is in lieu of all other express warranties, and the implied warranty of merchantability is limited to one year from purchase. This warranty does not cover the cost of installation, removal or reinstallation, or damage resulting from misuse, abuse, or improper or incorrect repair, or damage from improper wiring or installation. This warranty does not cover incidental or consequential damages. Lutron's liability on any claim for damages arising out of or in connection with the manufacture, sale, installation, delivery, or use of the unit shall never exceed the purchase price of the unit.

This warranty gives you specific legal rights, and you may also have other rights which vary from state to state. Some states do not allow limitations on how long an implied warranty lasts, so the above limitation may not apply to you. Some states do not allow the exclusion or limitation of incidental or consequential damages, so the above limitation or exclusion may not apply to you.

Lutron and ® are registered trademarks of Lutron Electronics Co., Inc. NEC is a registered trademark of the National Fire Protection Association, Quincy, Massachusetts.

© 2012 Lutron Electronics Co., Inc.